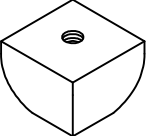
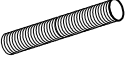
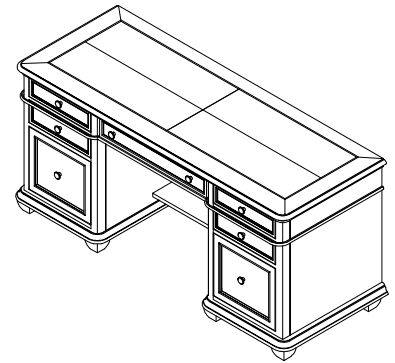


**Components and Hardware List**

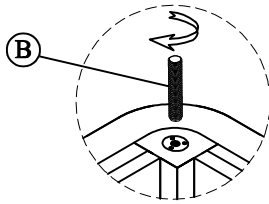
 <p><b>(A)</b> Bun feet 8 pcs.</p>	 <p><b>(B)</b> Ø5/16"-18 x 2" All - Thread Bolt 8 pcs.</p>
---	---



77933 Credenza

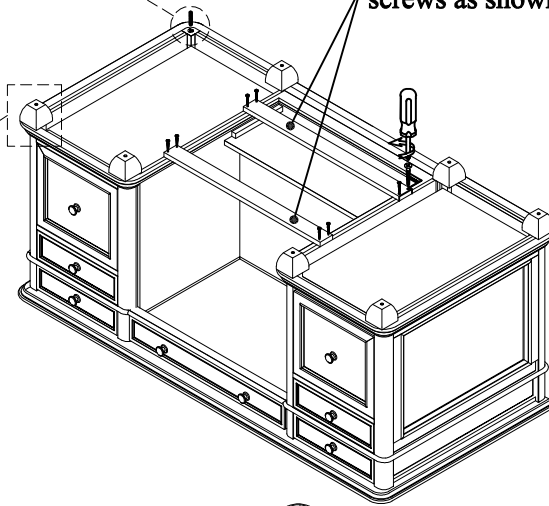
Be sure to check all packing material carefully for small parts, which may have come loose inside the carton during shipment.

**Step 2**

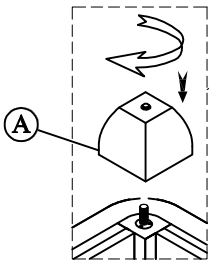


**Step 1**

Remove shipping brace by removing screws as shown. Discard the rail.

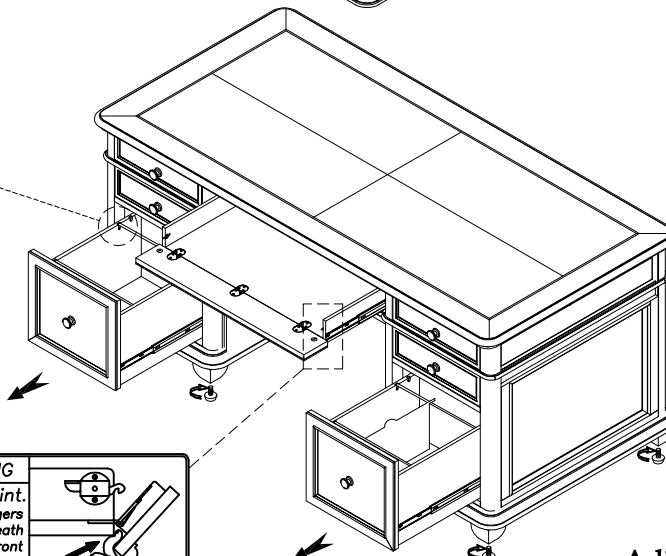
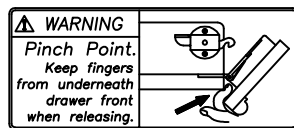
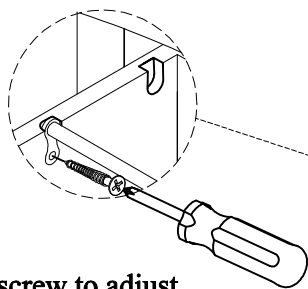


**Step 3**



Unscrew to adjust the file rod

**Step 4**



Adjustable Leveler

The File Drawers can be set up to use either Letter or Legal size hanging file folders using the File Rods installed in the file drawers.

The levelers in the bottom of the Bun Feet can be adjusted if necessary to compensate for uneven flooring